



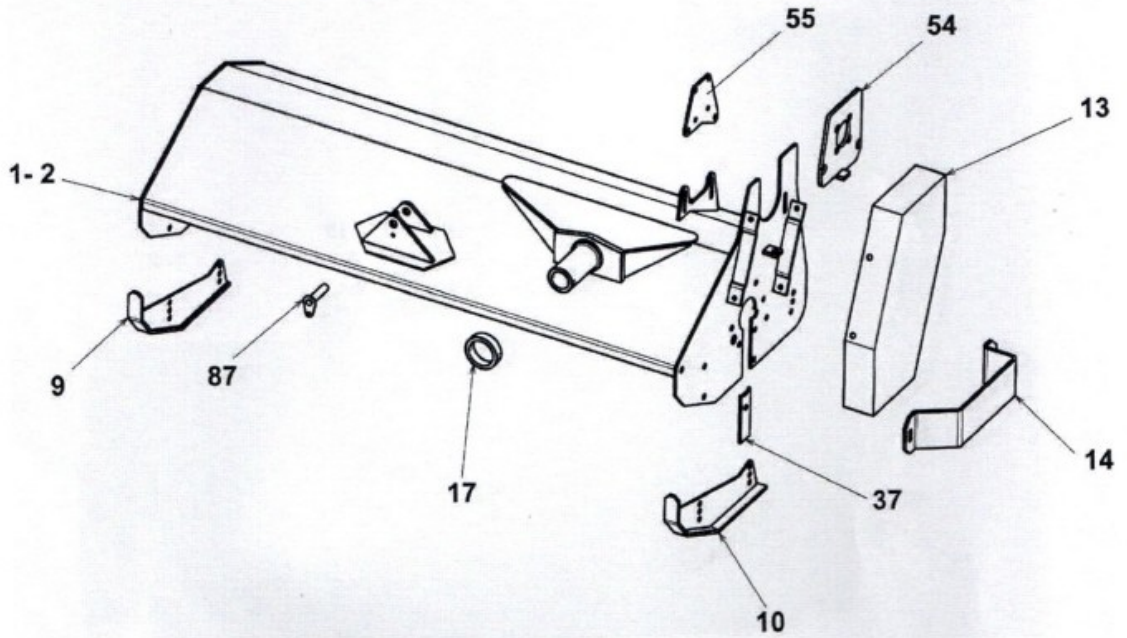
**Spare parts list**

**MB**  
**Verge Mower**

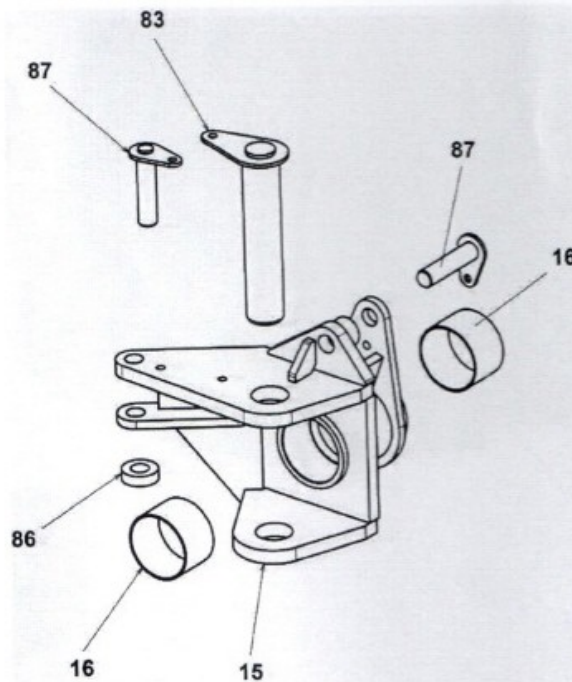
## Contents

<b>1 Chassis / Machine assembly</b>	<b>p.3</b>
<b>2 Body</b>	<b>p.4</b>
<b>3 Body pivot unit</b>	<b>p.4</b>
<b>4 Articulation</b>	<b>p.5</b>
<b>5 Drive</b>	<b>p.6</b>
<b>6 Rotor and tools</b>	<b>p.7</b>
<b>7 Roller</b>	<b>p.8</b>
<b>8 Battery</b>	<b>p.8</b>
<b>9 Hydraulic wiring</b>	<b>p.9</b>
<b>10 Linkage attachment</b>	<b>p.10</b>
<b>11 Transmission</b>	<b>p.11</b>

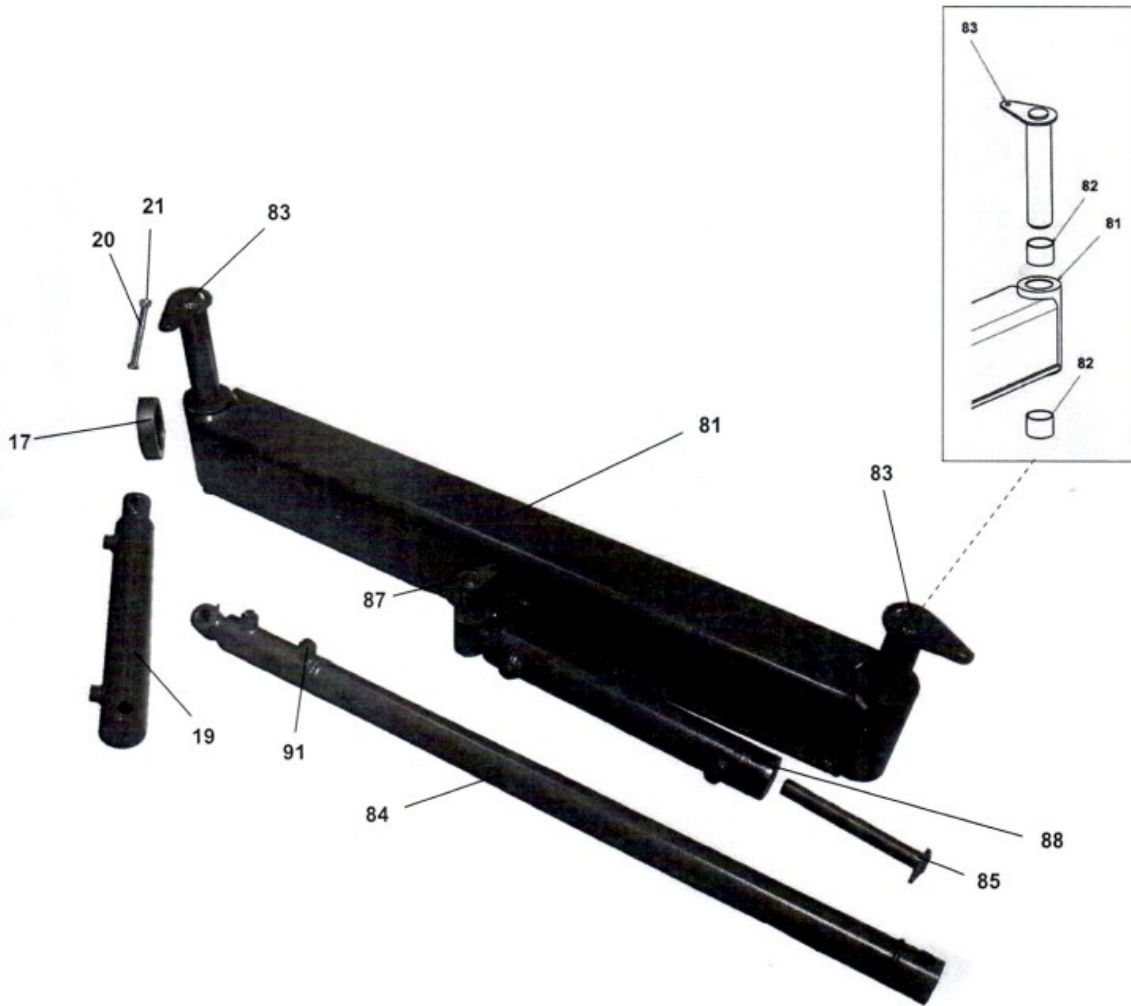
## 2. Body



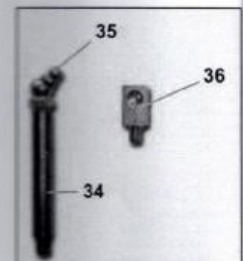
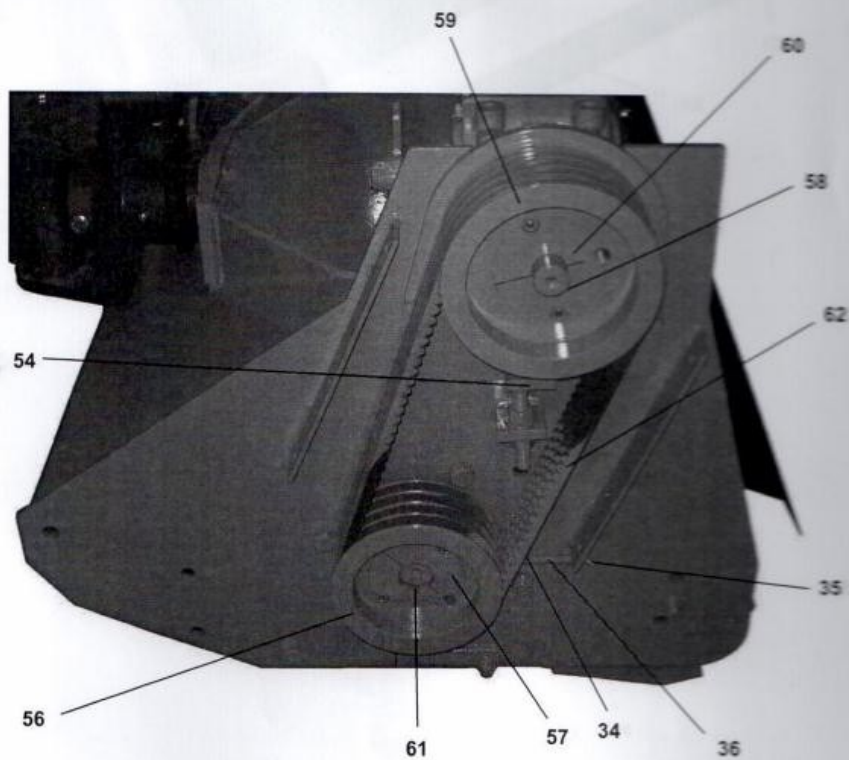
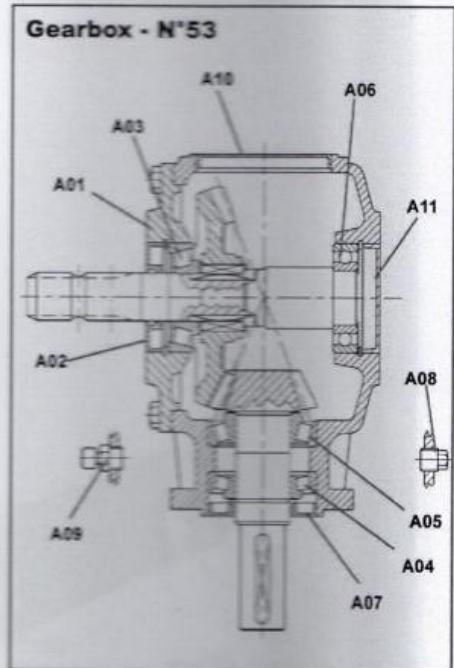
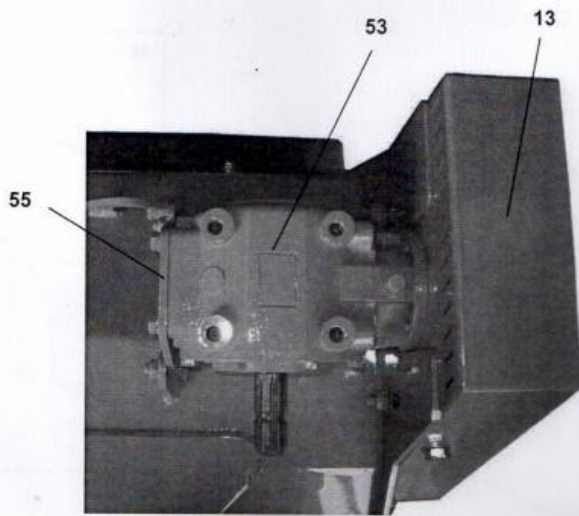
## 3. Body pivot unit



## 4. Articulation



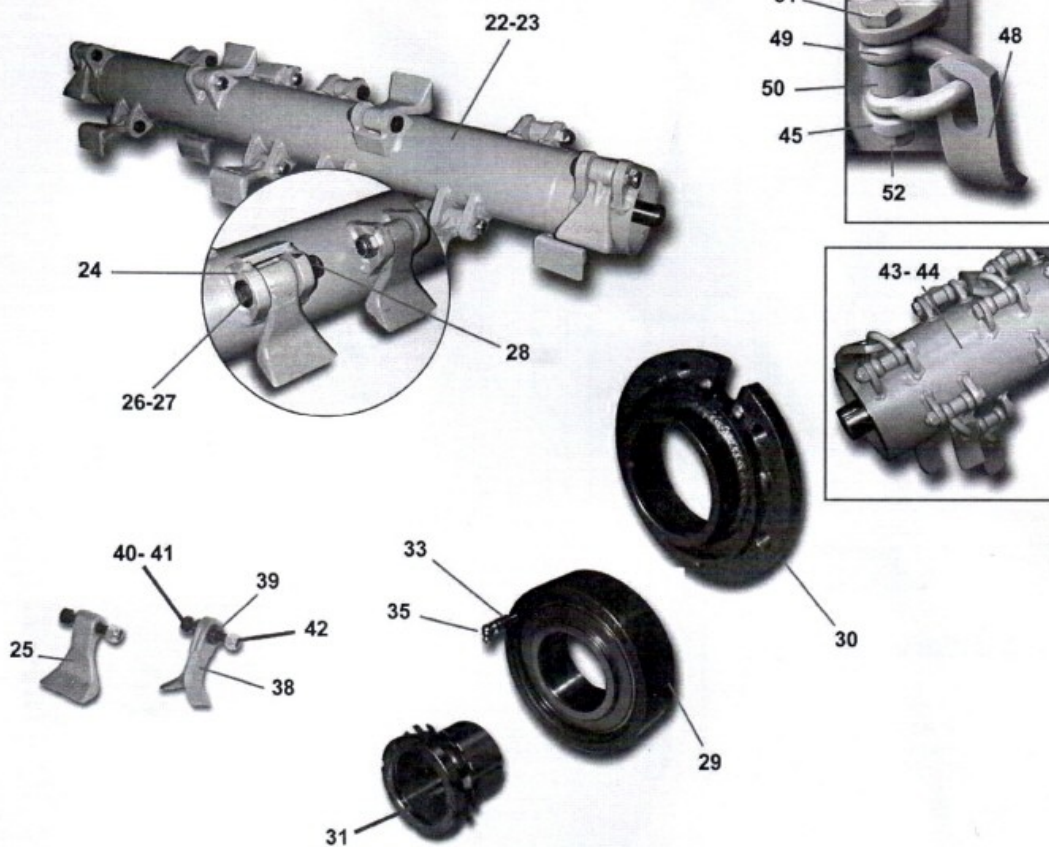
## 5. Drive



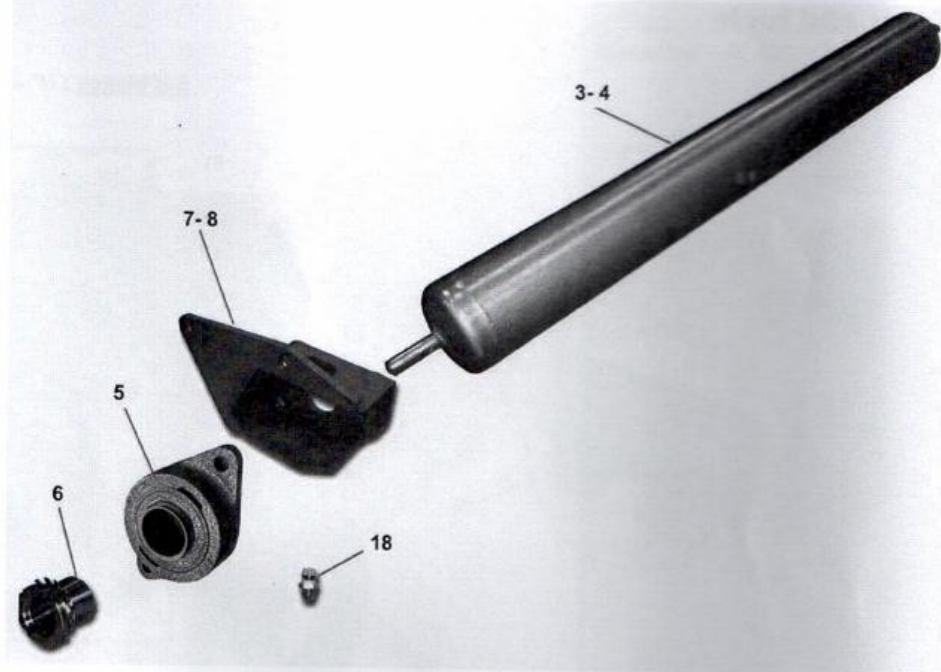


## 6. Rotor and tools

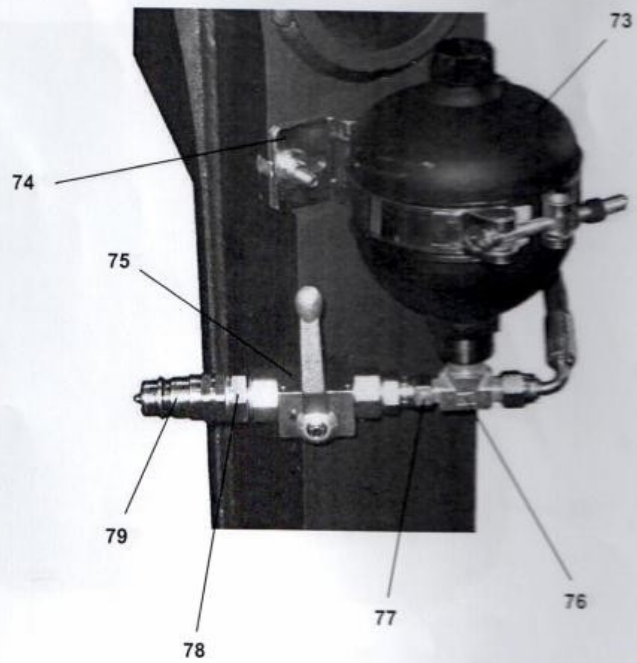
Set blades : N° 46- 47



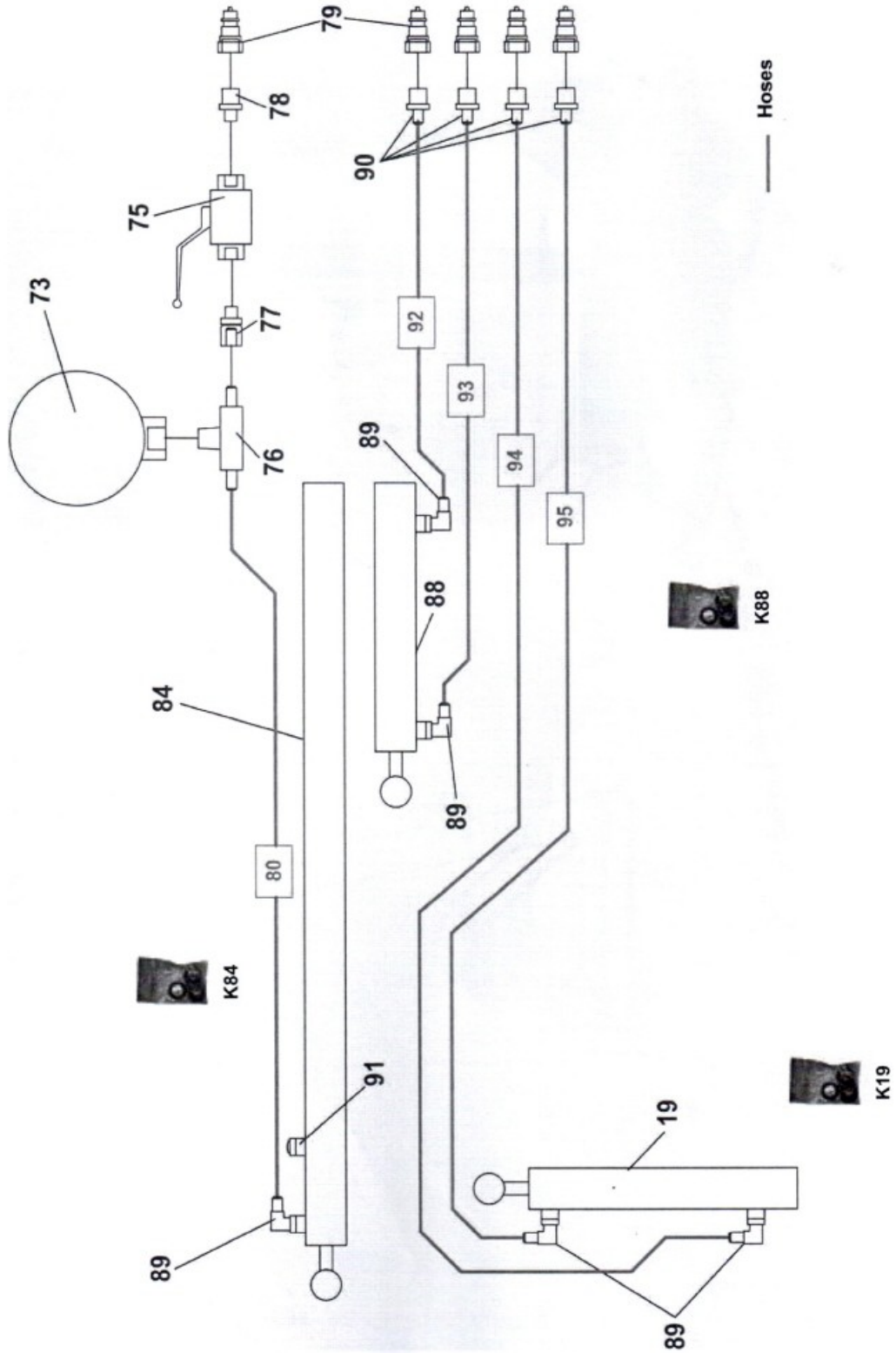
## 7. Roller



## 8. Battery

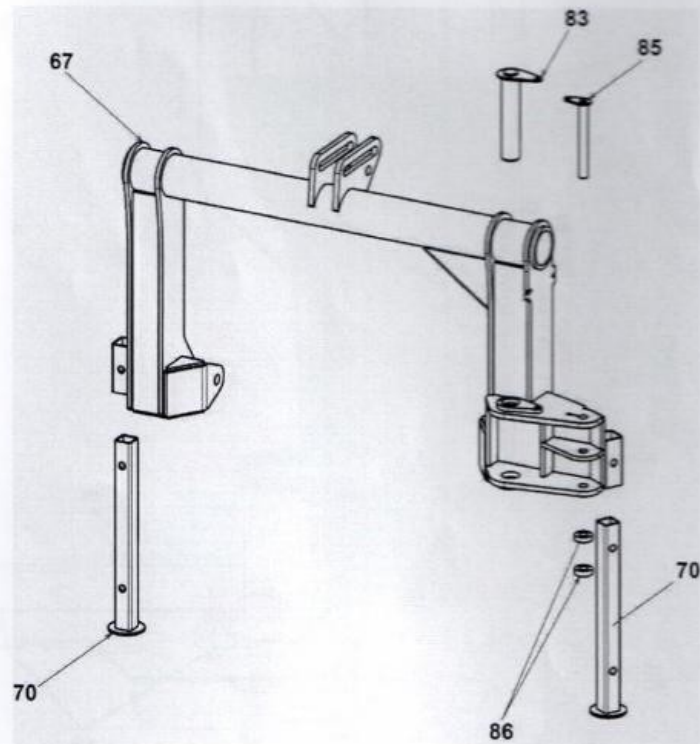
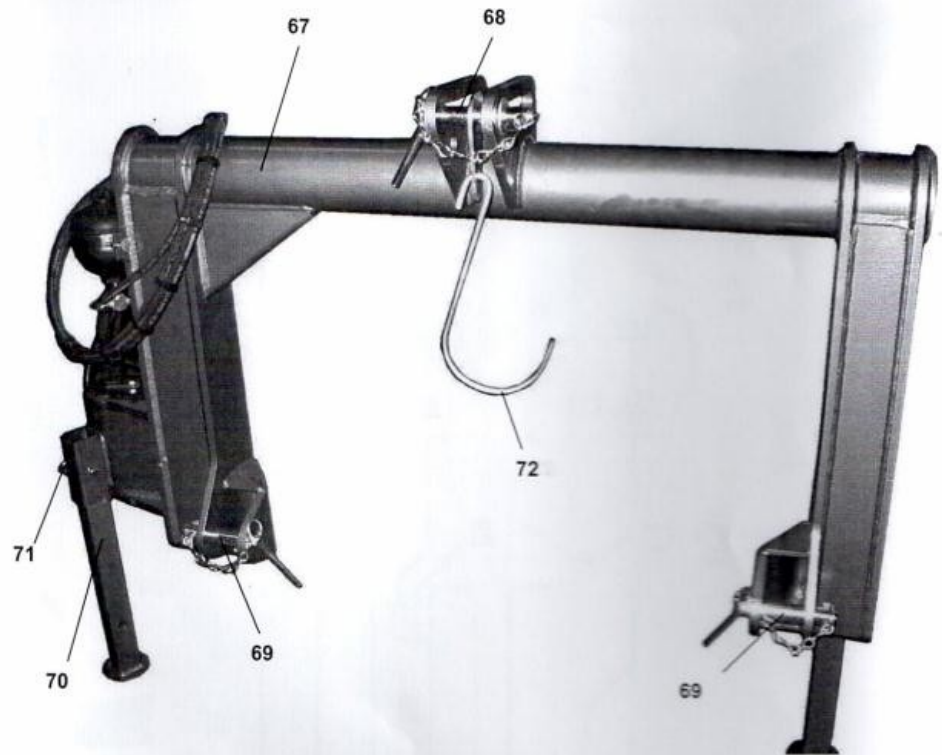


### 9. Hydraulic wiring





### 10. Linkage attachment



## 11. Transmission



96 - 97

## List of parts for MB Verge Mower

ARTICLES				QUANTITY ARTICLES PER MACHINE					
N°	DESCRIPTION	CODE	OPT	QTE SA	160	200			
QTY SA: Quantity per sub-assembly									
1	Stripped body MB 160	BL018255			1				
2	Stripped body MB 200	BL018256				1			
3	Stripped roller MB 160	BL006364			1				
4	Stripped roller MB 200	BL006363				1			
5	Ball bearing block	BL001160			1	1			
6	Sleeve	BL001161			1	1			
7	Right-hand roller bracket	BL009709			1	1			
8	Left-hand roller bracket	BL009715			1	1			
9	Right shoe	BL019186			1	1			
10	Left shoe	BL019187			1	1			
11	Deflector MB 160	BL019204			1				
12	Deflector MB 200	BL019205				1			
13	Pulley housing	BL019185			1	1			
14	Housing protection shoe	BL019188			1	1			
15	Body pivot	BL019189			1	1			
16	PAP ring	BL013480			2	2			
17	Pivot stop ring	BL019190			1	1			
18	Right-hand greasing nipple	BL001009			9	9			
19	Tilt cylinder	BL019207			1	1			
	K19 Seals kit			1					
20	Screw	BL001179			1	1			
21	Nut	BL001016			1	1			
22	Stripped rotor MB 160	BL013478			1				
23	Stripped rotor MB 200	BL013479				1			
24	Beading	BL001026			40	48			
25	Hammer	BL001116			20	24			
26	Screw	BL007314			16	20			
27	Screw (balancing weight)	BL007316			4	4			
28	Nut	BL001130			20	24			
29	Ball bearing block	BL002802			2	2			
30	Rotor bearing	BL019203			2	2			
31	Sleeve	BL002804			2	2			
32	L closed cover	BL002805			1	1			
33	Greasing nipple extension LG 18	BL003116			1	1			
34	Greasing nipple extension LG 70	BL003115			2	2			
35	Cranked greasing nipple	BL005771			1	1			
36	Greasing connector	BL003114			1	1			
37	Obturator	BL018258			1	1			
38	Y blade	BL001137			40	48			
39	Bushing	BL001138			40	48			
40	Screw	BL007314			16	20			
41	Screw (balancing weight)	BL007316			4	4			
42	Nut	BL001130			20	24			
43	Stripped rotor for shackle beading MB 160	BL003550			1				
44	Stripped rotor for shackle beading MB 200	BL003564				1			
45	Shackle beading	BL008944			104	132			
46	Set of blades MB 160	BL003560			1				
47	Set of blades MB 200	BL003567				1			
48	Paddle	BL003561			52	66			
49	Twisted shackle	BL003562			52	66			
50	Bushing	BL003594			52	66			
51	Screw	BL003563			52	66			
52	Nut	BL005830			52	66			
53	Gearbox	BL017413			1	1			
	A01 Cover			1					
	A02 Lipseal			1					
	A03 Tapered bearing			1					
	A04 Tapered bearing			1					
	A05 Tapered bearing			1					
	A06 Ball bearing			1					

## List of parts for MB Verge Mower

ARTICLES				QTE	QUANTITY ARTICLES PER MACHINE					
N°	DESCRIPTION	CODE	OPT		SA	160	200			
	A07	Lipseal								
	A08	Drain plug								
	A09	Breather								
	A10	Plug								
	A11	Plug								
	54	Front attachment plate	BL019192							
	55	Rear attachment plate	BL019193							
	56	Rotor pulley	BL001987							
	57	Hub	BL001192							
	58	Clavette	BL003591							
	59	Gearbox pulley	BL001994							
	60	Hub	BL014044							
	61	Key	BL002328							
	62	Belt	BL005349							
	63	Round bowl	BL007645							
	64	Shutter rod MB 160	BL019010							
	65	Shutter rod MB 200	BL019030							
	66	Steel shutter	BL019206							
	67	Attachment	BL019194							
	68	Attachment pin SP	BL014210							
	69	Attachment pin AP	BL014204							
	70	Strut	BL019195							
	71	Pin	BL001231							
	72	Transmission clamp + bracket	BL017952							
	73	Battery	BL019196							
	74	Single attachment clip	BL007873							
	75	Valve	BL002490							
	76	Connector	BL006656							
	77	Connector	BL019127							
	78	Connector	BL019099							
	79	Valve coupler	BL016149							
	80	Hose	BL019045							
	81	Arm	BL019197							
	82	PAP ring	BL009134							
	83	Pin	BL019198							
	84	Safety cylinder	BL019199							
	K84	Seals kit								
	85	Pin	BL019200							
	86	Smooth bushing	BL007652							
	87	Pin	BL019202							
	88	Offset cylinder	BL019207							
	K88	Seals kit								
	89	Connector	BL006633							
	90	Connector	BL006668							
	91	Breather	BL006638							
	92	Hose	BL004544							
	93	Hose	BL007989							
	94	Hose	BL007802							
	95	Hose	BL019098							
	96	Combined transmission	BL013197							
	97	Double transmission	BL013196							
	98	Yellow Safety Distance sticker	BL012854							
	99	Yellow Stop sticker	BL012855							
	100	Yellow Read Booklet sticker	BL012857							
	101	Red Foot Caught sticker	BL012860							
	102	Red Projection sticker	BL012861							
	103	Red Person Caught sticker	BL012862							
	104	Red Safety sticker 2	BL007437							
	105	PTO sticker	BL005968							
	106	Yellow Hydraulic Offset sticker	BL012900							

QTY SA: Quantity per sub-assembly